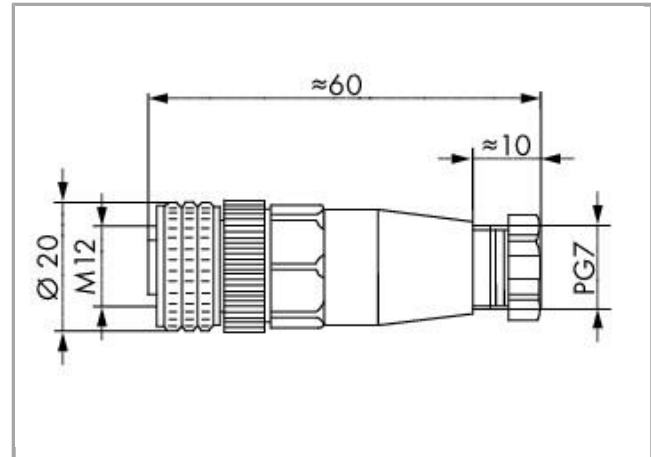


Data sheet | Item number: 756-9211/040-000

Connectors for sensor/actuator cable; M12 socket, straight; 4-pole

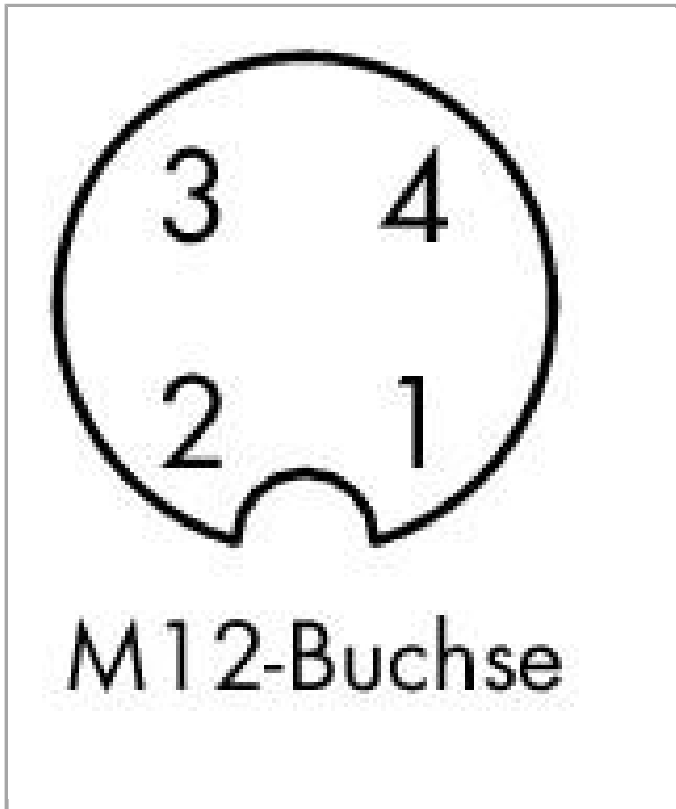


756-9211/040-000



RoHS Compliant

[BOMcheck.net](https://www.bomcheck.net)



Anschließbare Leitung
 $\varnothing 4 \dots 6 \text{ mm} / 0,25 - 0,75 \text{ mm}^2$

Data

Technical Data

Connection type	M12 socket
No. of poles	4
Leitungsanschlussrichtung zur Steckrichtung	0°
Steckgesichtskodierung Leitung/Adapter 1 1	A coded

Connection data

Connection type (1)	Schraubtechnik
---------------------	----------------

Mechanical data

Connectable sheathed cable diameter	4 ... 6 mm
Weight	23.8 g

Environmental Requirements

Protection class	IP67
------------------	------

Commercial data

Country of origin	HU
GTIN	4045454325589



Customs Tariff No.

85366990990

Downloads

Documentation

System Description

IP67 Cables and Pluggable Connectors

pdf
293.9 kB

[Download](#)

Subject to changes.
